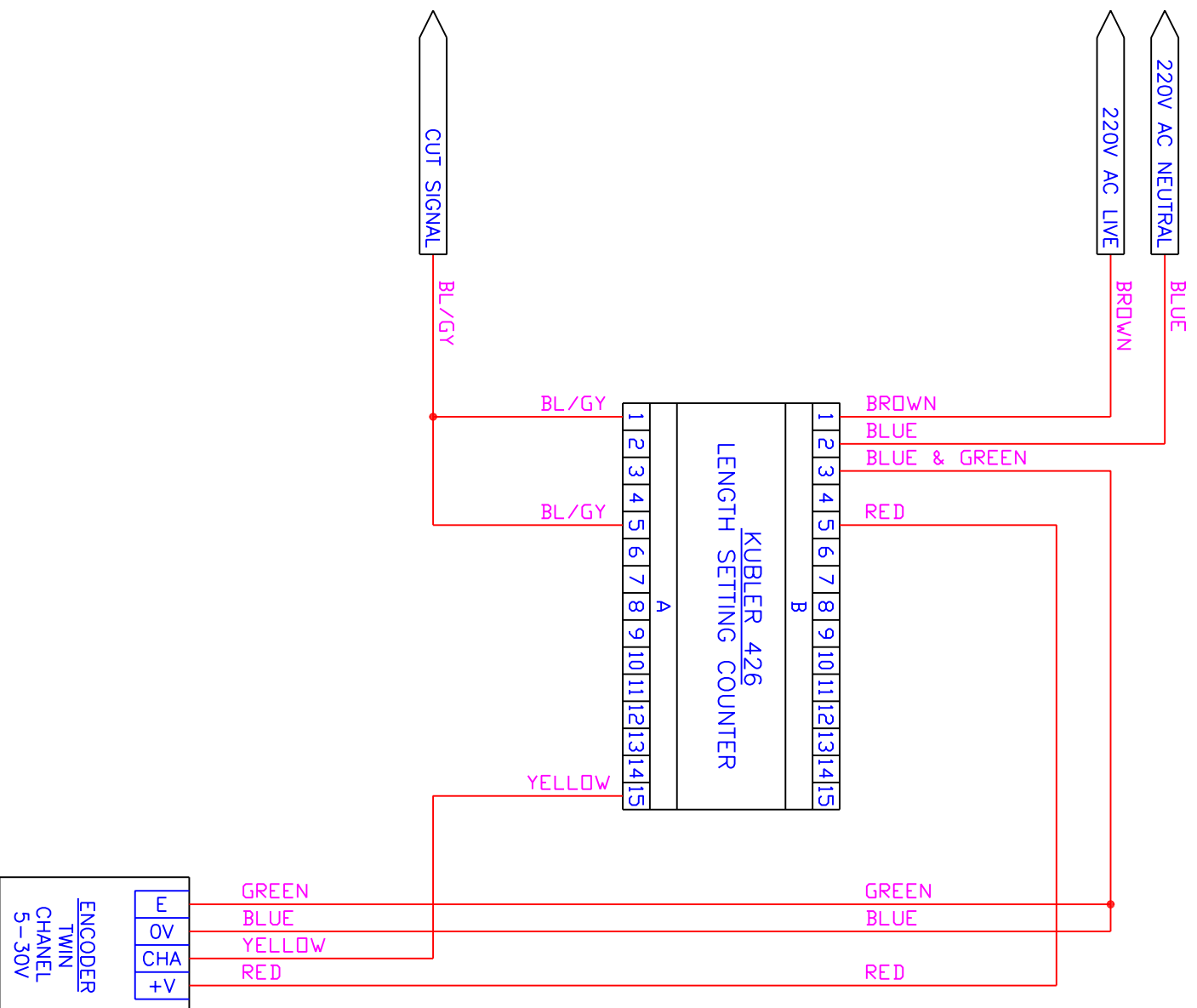


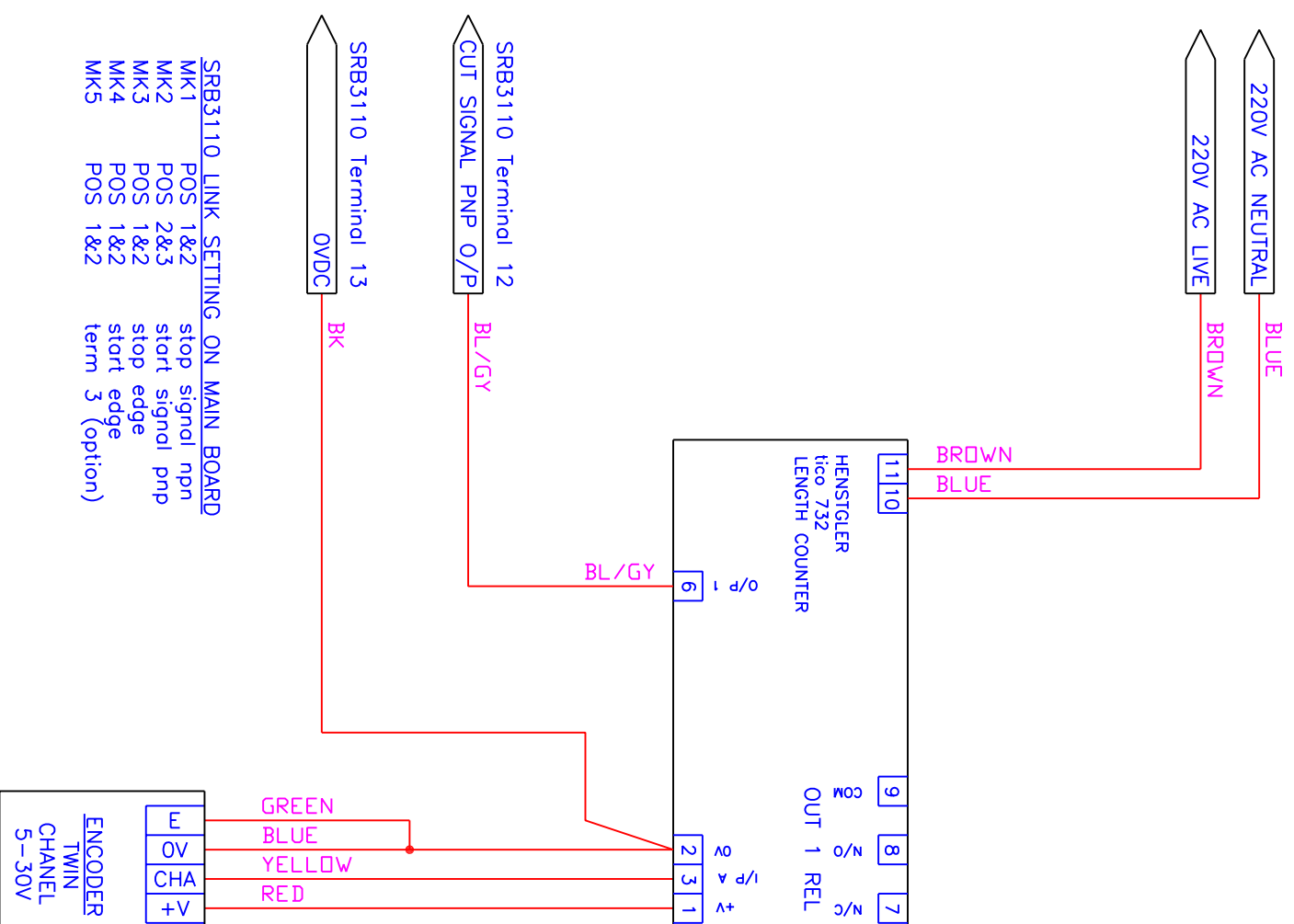
WIRING DIAGRAM CONNECTION FOR A KUBLER 426 COUNTER

(CURRENT SET-UP)



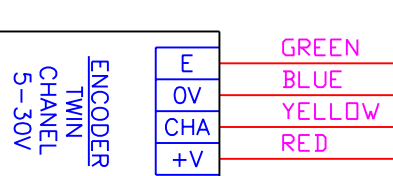
WIRING DIAGRAM CONNECTION FOR A HENSTGLER tico 732 COUNTER

(NEW SET-UP)



- Henstgler tico 732 prog settings
 E6 on power up – set to Fn0
 E5 on power up – enter program
 E3 to set pre-scale
 E1 to enter length setting
 press 1 – 6 to set desired length
 press E to store
 6 & 4 to reset
- | | | |
|-----|----------------------|------|
| F0 | Default setting | 0 |
| F1 | Count mode | 0 |
| F3 | Decimal point | 0 |
| F4 | Reset option | 1 |
| F6 | O/P 1 time | 0.20 |
| F7 | O/P 2 time | 0 |
| F10 | I/P(pnp=1 npn=0) | 0 |
| F11 | Count speed | 1 |
| F12 | Static/dynamic reset | 0 |
| F14 | O/P sig memory | 0 |
| F20 | Front panel reset | 0 |
| F21 | Preset 1 access | 0 |
| F23 | Prescale access | 1 |
| F29 | Lockout mode | 0 |

- SRB3110 Terminal 12
CUT SIGNAL PNP O/P
- SRB3110 Terminal 13
OVDC
- SRB3110 LINK SETTING ON MAIN BOARD
- | | | |
|-----|---------|------------------|
| MK1 | POS 1&2 | stop signal npn |
| MK2 | POS 2&3 | start signal pnp |
| MK3 | POS 1&2 | stop edge |
| MK4 | POS 1&2 | start edge |
| MK5 | POS 1&2 | term 3 (option) |



Gillard Cutting Technology
 Ashchurch Business Centre
 Tewkesbury
 Glos GL20 8NB
 England
 Tel: 01684 290243
 Fax: 01684 290330
 e-mail: sales@gillard.co.uk

DESCRIPTION
 ELECTRICAL DRAWINGS FOR EXCHANGING
 A KUBLER 426 TO A HENSTGLER tico 732

JOB No	K426_H732	REF. DRAWING No	K426_H732
DRAWN BY	A. RICKARD	DATE	22/09/03
SHEET	1 OF 1	DRAWING No	K426_H732