

ISS	DATE	DRAWN	REVISION
A	29/04/2008	JRS	NEW DRAWING
B			
C			
D			
E			
F			



Gillard Cutting Technology
 Alexandra Way
 Ashchurch Business Centre
 Tewkesbury,
 Glos. GL20 8NB
 England.
 Tel: 01684 290243
 Fax: 01684 290330
 E-mail: sales@gillard.co.uk

This drawing is the property of Gillard Cutting Technology & must not be shown to third parties or copied without written consent.

UNITS	mm	DESCRIPTION	
SCALE	1:20	Horizontal Pay-Off Unit	
JOB No.	-		
MATERIAL	M/S	SHEET No	DRAWING No
QTY REQD.	1	1 of 2	7225HZGA010

1

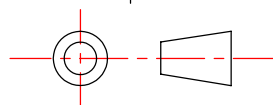
2

3

4

5

6



A

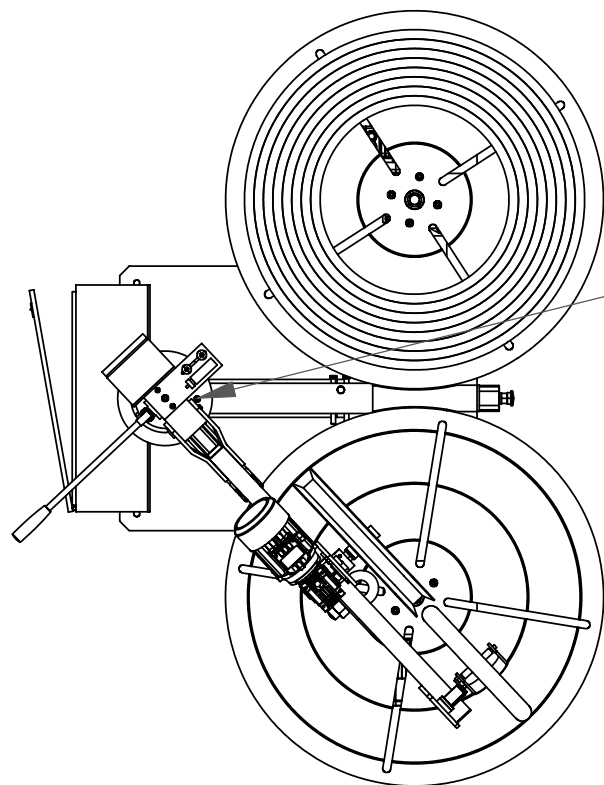
B

C

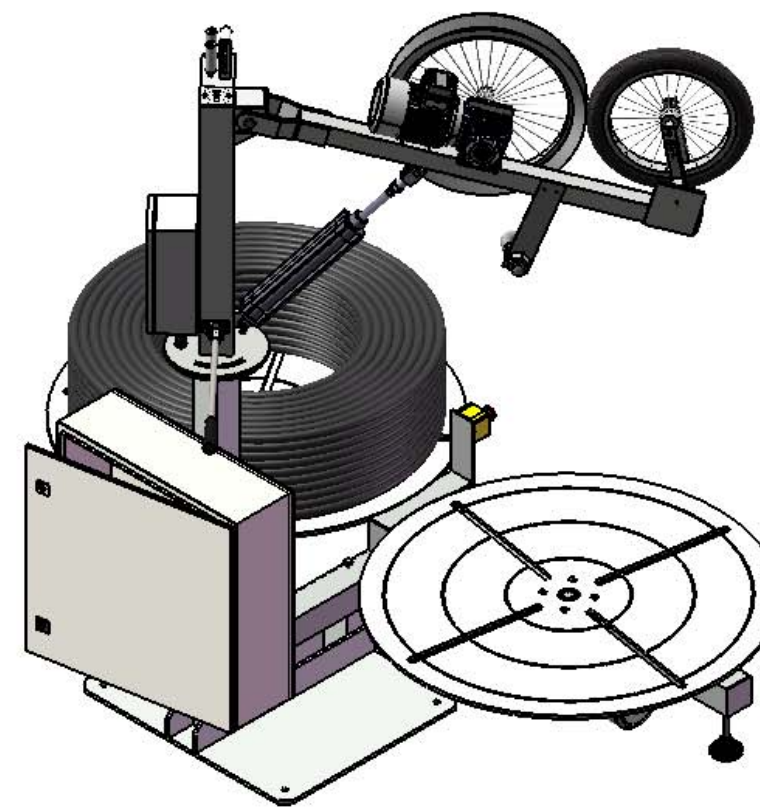
D

E

F



Sensors within rotating boom automatically select which turntable to operate.



Boom shown in lowered position over turntable 2

Powered V-Channel drive wheel

Nip wheel

Exit Guide rollers

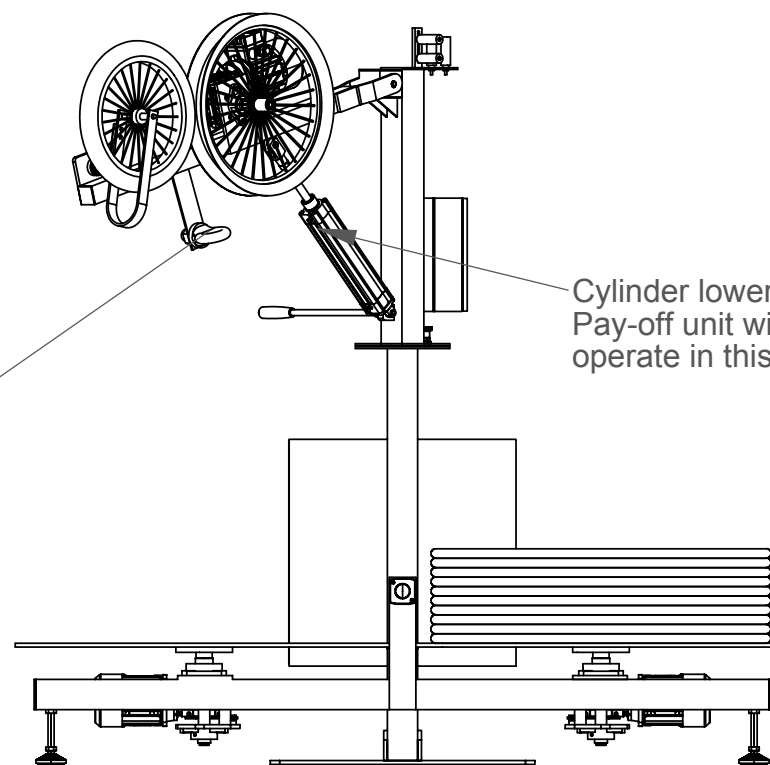
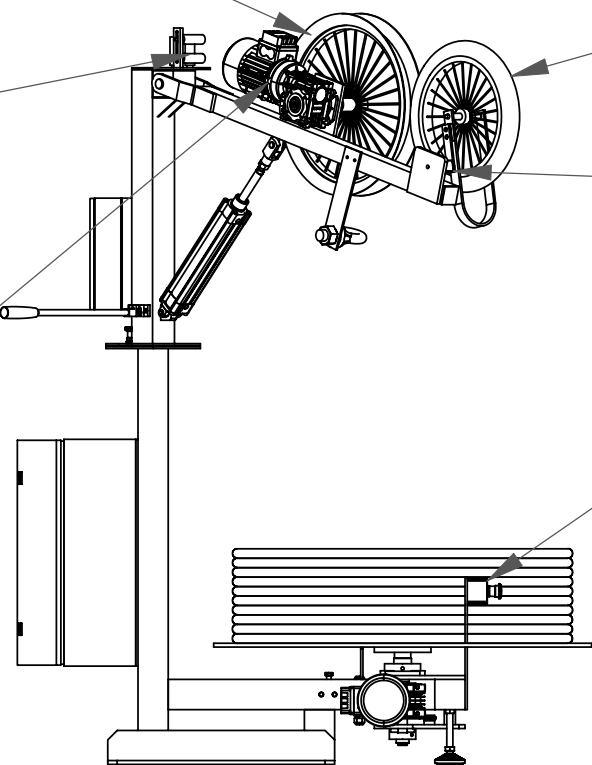
Tension applied via adjustable tensioner unit

Drive wheel motor

Product Inlet guide

Cylinder lowered. Pay-off unit will not operate in this position

E-Stop



ISS	DATE	DRAWN	REVISION
A	29/04/2008	JRS	NEW DRAWING
B			
C			
D			
E			
F			



Gillard Cutting Technology
 Alexandra Way
 Ashchurch Business Centre
 Tewkesbury,
 Glos. GL20 8NB
 England.
 Tel: 01684 290243
 Fax: 01684 290330
 E-mail: sales@gillard.co.uk

This drawing is the property of Gillard Cutting Technology & must not be shown to third parties or copied without written consent.

UNITS	mm	DESCRIPTION	Horizontal Pay-Off Unit	
SCALE	1:20			
JOB No.	-			
MATERIAL	M/S			
QTY REQD.	1	SHEET No	2 of 2	DRAWING No 7225HZGA010 A3