


ISS	DATE	AUTHOR	DESCRIPTION
A		JRS	New Drawing
B			
C			
D			
E			
F			



**Gillard Cutting Technology**  
 Alexandra Way  
 Ashchurch Business Centre  
 Tewkesbury,  
 Glos. GL20 8NB  
 England.  
 Tel: 01684 290243  
 Fax: 01684 290330  
 E-mail: sales@gillard.co.uk

This drawing is the property of Gillard Cutting Technology & must not be copied or shown to third parties without prior written consent.

UNITS	mm	DESCRIPTION				
SCALE	1:10	Base plate assembly				
QTY						
MATERIAL		 DO NOT SCALE PRINT IF IN DOUBT ASK 1 Unless otherwise specified: Dimensions without tolerances per ISO 2768 - m,K All Coaxial features concentric within 0,15mm				
FINISH						
SHEET No		5 of 5	DRAWING No	7864GA015	REV	A3

1

2

3

4

5

6

A

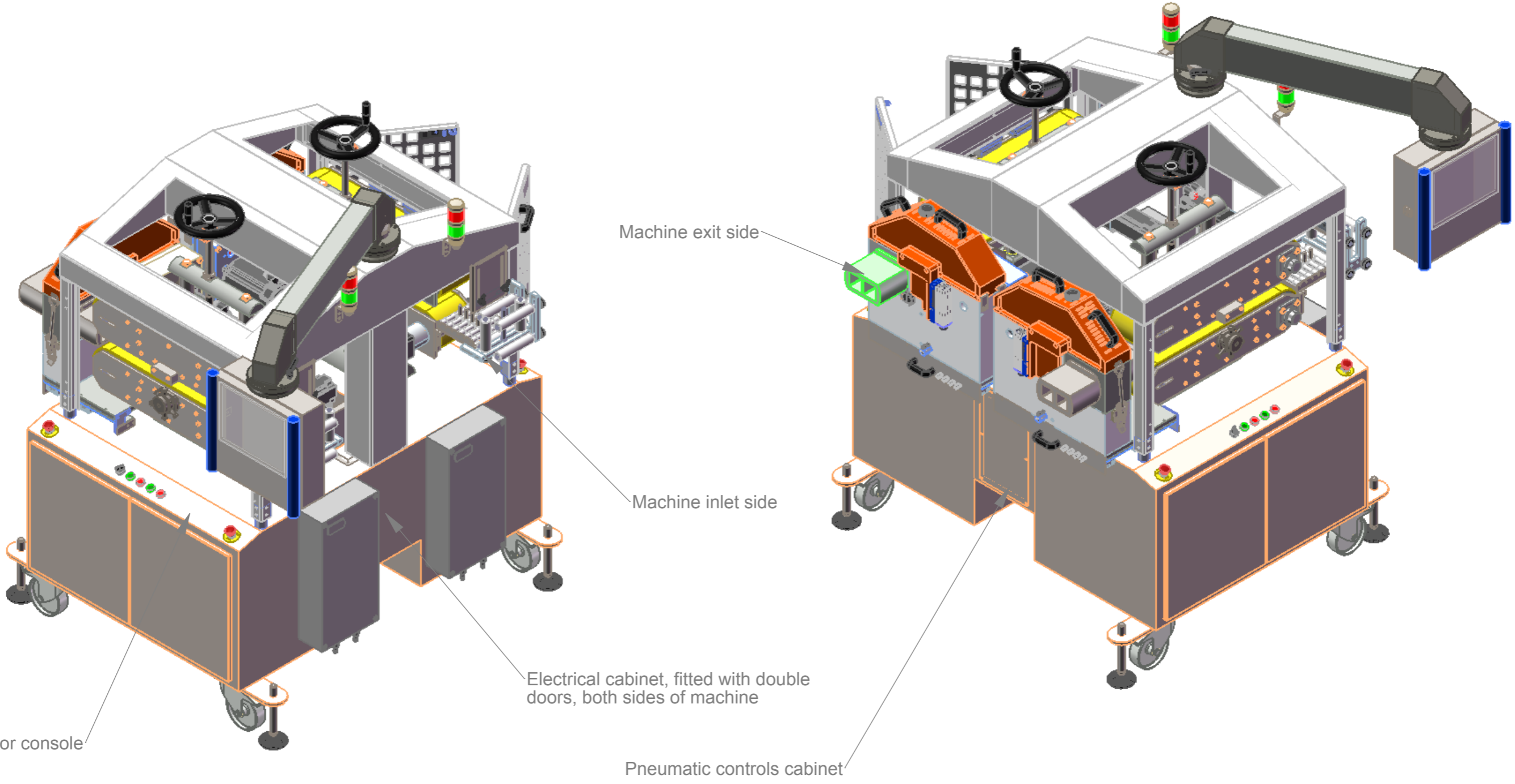
B

C

D

E

F



Operator console

Machine exit side

Machine inlet side

Electrical cabinet, fitted with double doors, both sides of machine

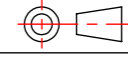
Pneumatic controls cabinet

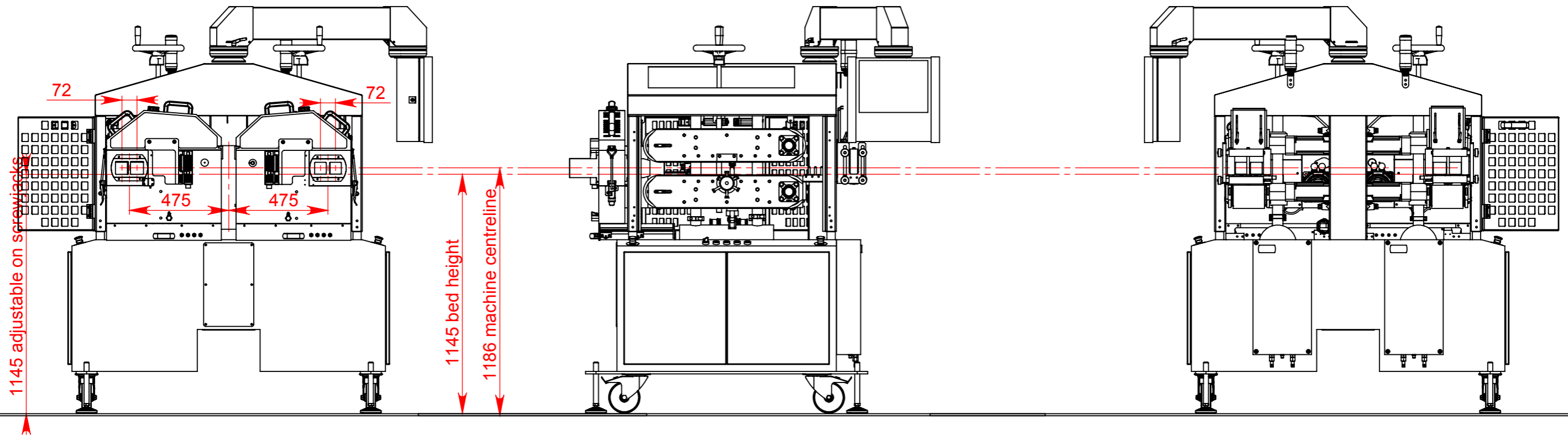
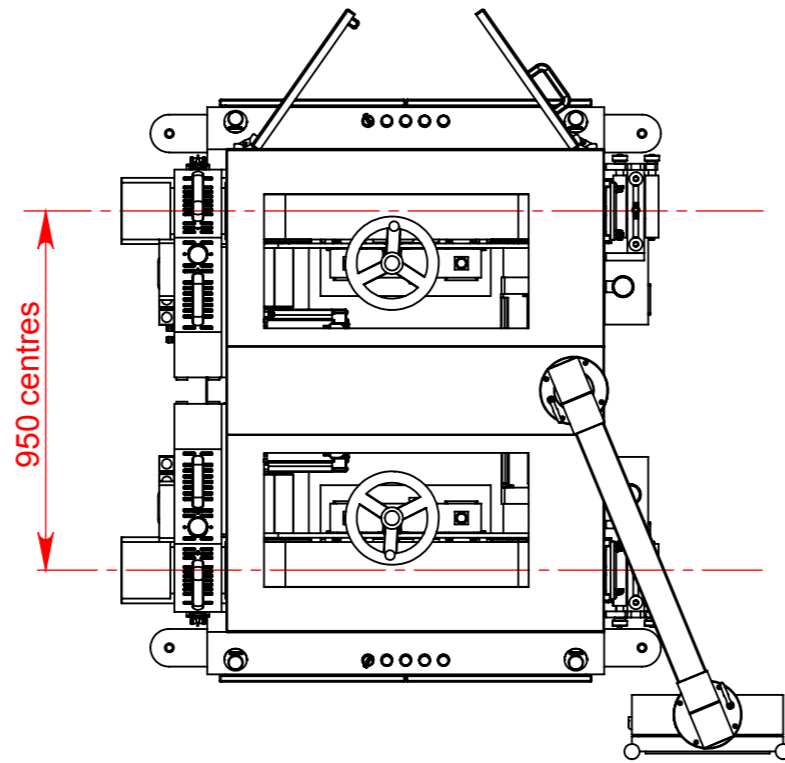
ISS	DATE	AUTHOR	DESCRIPTION
A	29/04/2014	PW	New Drawing
B			
C			
D			
E			
F			



**Gillard Cutting Technology**  
 Alexandra Way  
 Ashchurch Business Centre  
 Tewkesbury,  
 Glos. GL20 8NB  
 England.  
 Tel: 01684 290243  
 Fax: 01684 290330  
 E-mail: sales@gillard.co.uk

This drawing is the property of Gillard Cutting Technology & must not be copied or shown to third parties without prior written consent.

UNITS	mm	DESCRIPTION				
SCALE	1:15	<b>Base plate assembly</b>				
QTY						
MATERIAL		 DO NOT SCALE PRINT IF IN DOUBT ASK ! Unless otherwise specified: Dimensions without tolerances per ISO 2768 - m,K All Coaxial features concentric within 0,15mm				
FINISH						
SHEET No		2 of 5	DRAWING No	7864GA015	REV	A3



ISS	DATE	AUTHOR	DESCRIPTION
A	08/05/2014	PW	New Drawing
B			
C			
D			
E			
F			

**Gillard**

**Gillard Cutting Technology**  
 Alexandra Way  
 Ashchurch Business Centre  
 Tewkesbury,  
 Glos. GL20 8NB  
 England.  
 Tel: 01684 290243  
 Fax: 01684 290330  
 E-mail: sales@gillard.co.uk

This drawing is the property of Gillard Cutting Technology & must not be copied or shown to third parties without prior written consent.

UNITS	mm	DESCRIPTION
SCALE	1:20	<b>Base plate assembly</b>
PROJECTION:		
<b>DO NOT SCALE PRINT</b>		REV
SHEET No	3 of 5	DRAWING No
		7864GA015
		A3