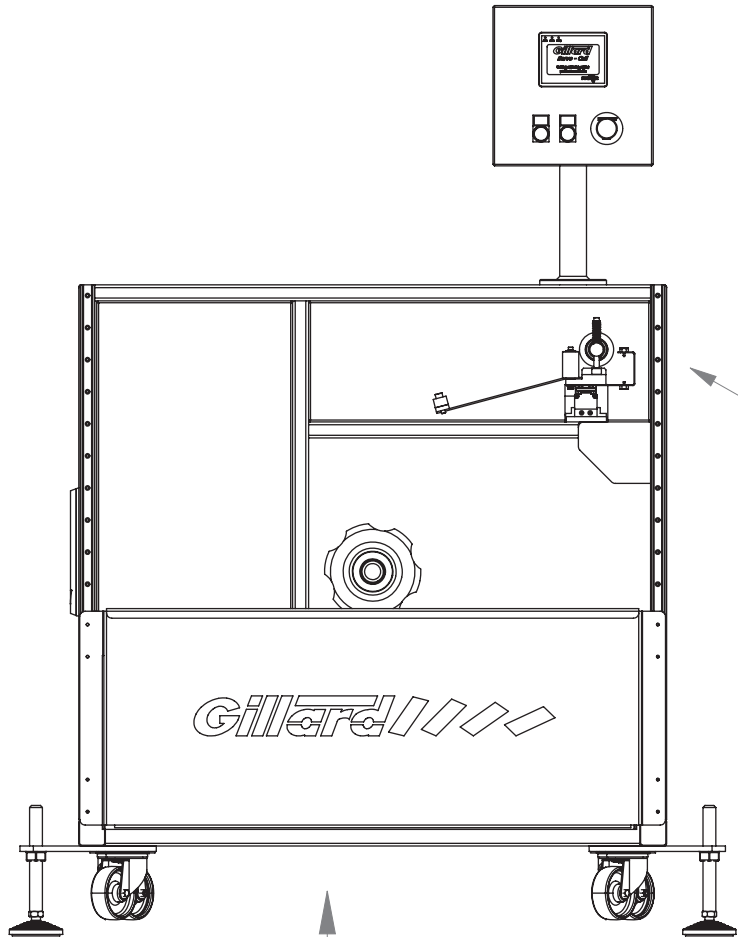


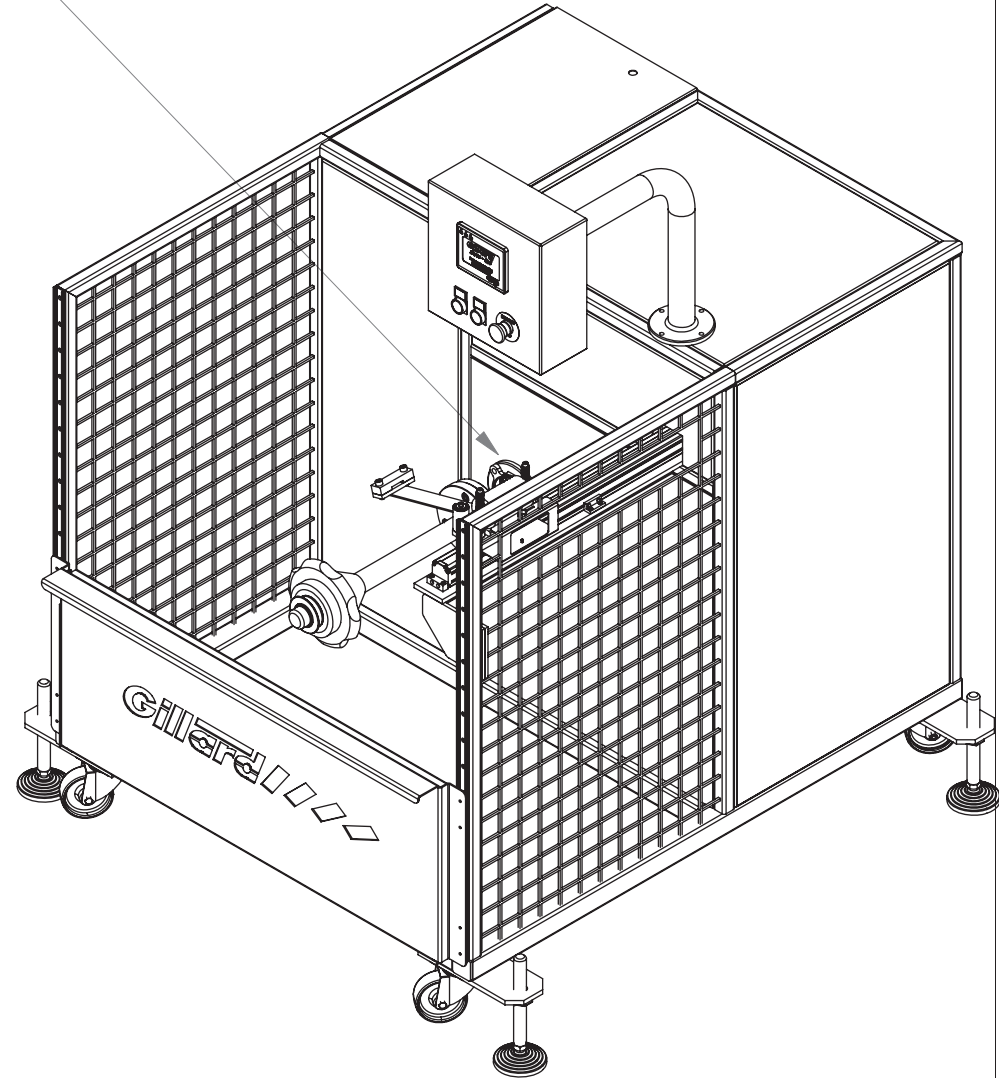
Grease drive bearings yearly using nipples -  
 Shell Alvania Grease 3 or similar  
 Outer flange bearing and pillow block bearing  
 inside machine



Product entry point

Lifting points for fork lift  
 Lift from back of machine  
 Ensure forks are fully through machine before  
 attempting lift !!

Use levelling elements to position machine



ISS	DATE	AUTHOR	DESCRIPTION
A	30/07/2012	PW	New Drawing - (Note: General fasteners & fixings may not be detailed)
B			
C			
D			
E			
F			



**Gillard Cutting Technology**  
 Alexandra Way  
 Ashchurch Business Centre  
 Tewkesbury,  
 Glos. GL20 8NB  
 England  
 Tel: 01684 290243  
 Fax: 01684 290330  
 E-mail: sales@gillard.co.uk

This drawing is the property of Gillard Cutting Technology & must not be copied or shown to third parties without prior written consent.

UNITS	mm	DESCRIPTION	REV
SCALE	1:5		
PROJECTION:		<b>DO NOT SCALE PRINT</b>	
SHEET No	1 of 2	DRAWING No	A3