

1

2

3

4

5

6

A

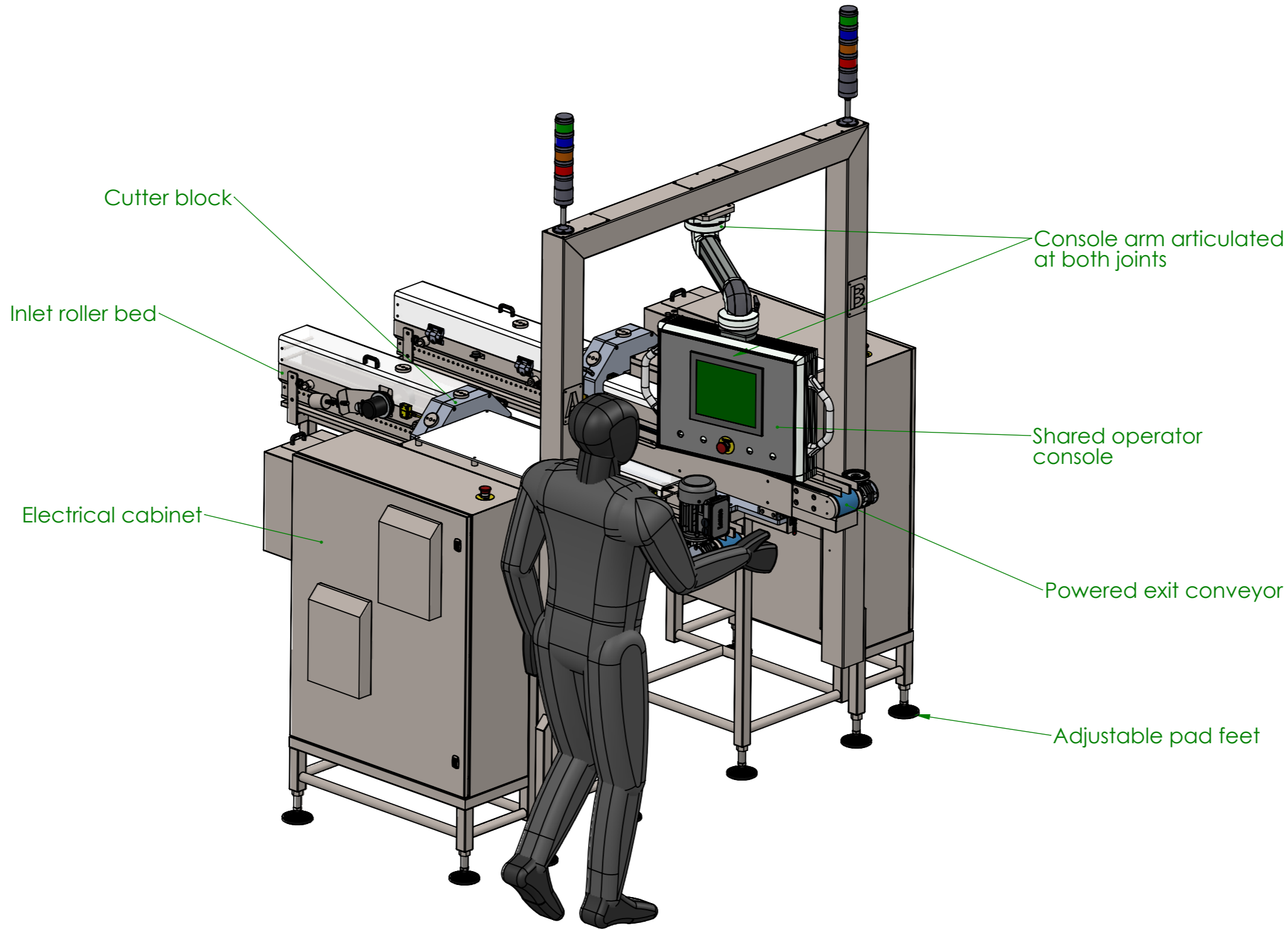
B

C

D

E

F



Cutter block

Inlet roller bed

Electrical cabinet

Console arm articulated at both joints

Shared operator console

Powered exit conveyor

Adjustable pad feet

**Gillard**

**Gillard Cutting Technology**  
 Alexandra Way  
 Ashchurch Business Centre  
 Tewkesbury,  
 Glos. GL20 8NB  
 England.  
 Tel: 01684 290243  
 E-mail: sales@gillard.co.uk

This drawing is the property of Gillard Cutting Technology & must not be copied or shown to third parties without prior written consent.

DESCRIPTION  
 Twin Servo-Torq rim block cutter

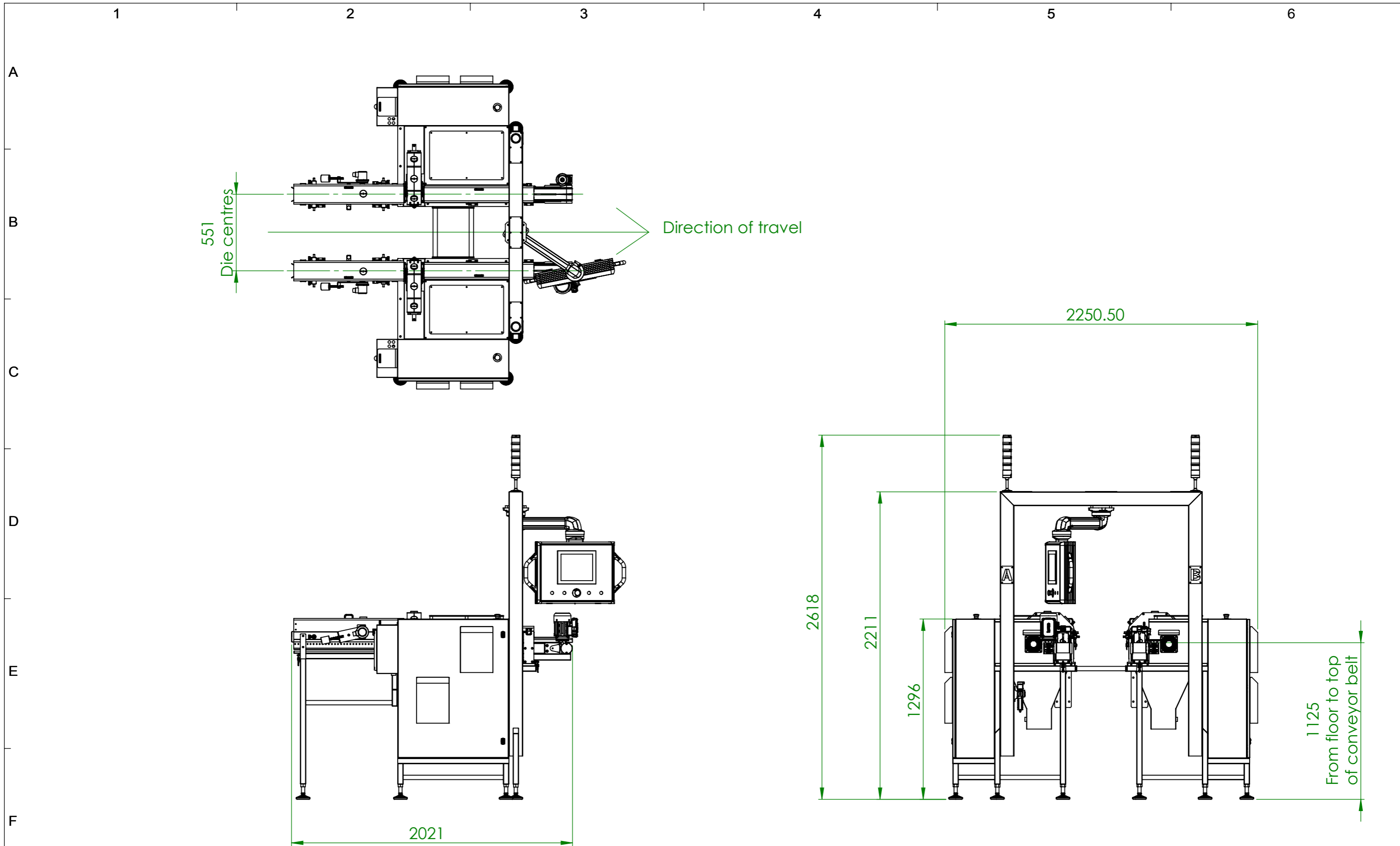
SCALE 1:15

SHEET No 1 of 2

Unless otherwise specified: 0.1mm  
 Dimensions without tolerances per ISO 2768 - m.K  
 All Coaxial features concentric within 0.15mm

DRAWING No A800205

REV
SHEET SIZE A3



**Gillard Cutting Technology**  
 Alexandra Way  
 Ashchurch Business Centre  
 Tewkesbury,  
 Glos. GL20 8NB  
 England.  
 Tel: 01684 290243  
 E-mail: sales@gillard.co.uk

This drawing is the property of Gillard Cutting Technology & must not be copied or shown to third parties without prior written consent.

DESCRIPTION		Twin Servo-Torq rim block cutter	
SCALE	1:25	REV	
SHEET No	2 of 2	DRAWING No	A800205
<small>Unless otherwise specified: 0.1mm          Dimensions without tolerances per ISO 2768 - m.K          All Coaxial features concentric within 0.15mm</small>		SHEET SIZE	A3