

1

2

3

4

5

6

A

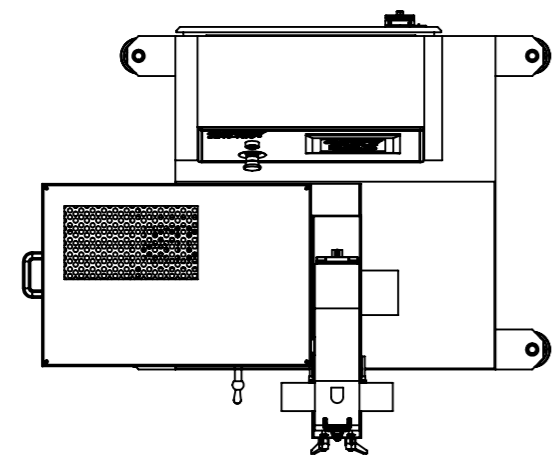
B

C

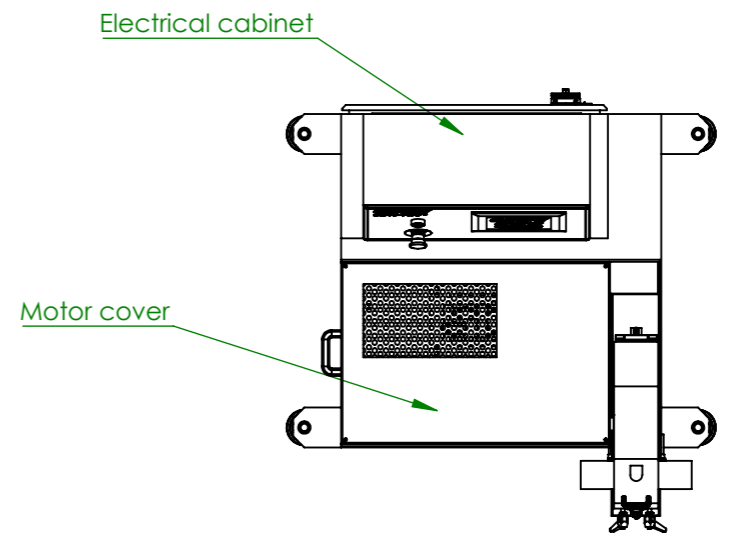
D

E

F

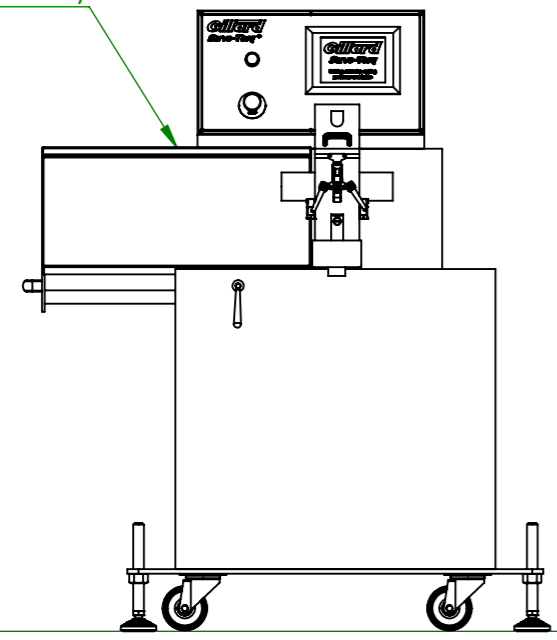


Slide-away cutter head version



Free-standing Servo-Torq® rotary cutter

Integrated slide-away cutter head (optional extra)

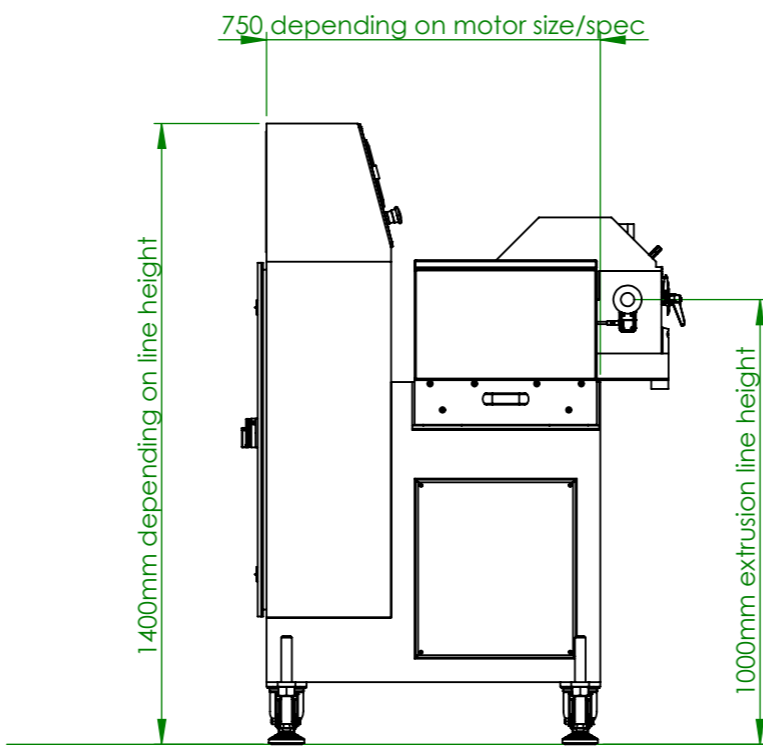


Shown in "out" position above

750 depending on motor size/spec

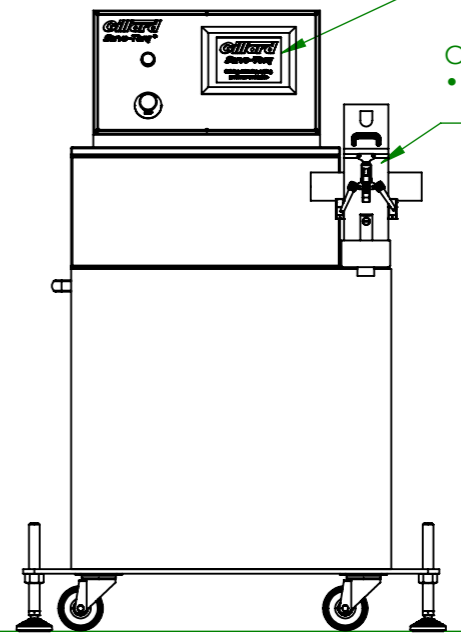
1400mm depending on line height

1000mm extrusion line height



109mm (4.3") diagonal Lenze P300 touch-screen panel

Cutter blocks & bushes
• Guarding may be required depending on product size



Please note dimensions are liable to change and are subject to final order requirements. Gillard retain the right to alter or modify any aspect of the design without prior notice.



Gillard Cutting Technology
 Alexandra Way
 Ashchurch Business Centre
 Tewkesbury,
 Glos. GL20 8NB
 England.
 Tel: 01684 290243
 Email: sales@gillard.co.uk

This drawing is the property of Gillard Cutting Technology & must not be copied or shown to third parties without prior written consent.

DESCRIPTION
Servo-Torq®
 rotary cutter - free-standing unit

SCALE /

SHEET No 1 of 1

Unless otherwise specified: 0.1mm
Dimensions without tolerances per ISO 2768 - m.K
All Coaxial features concentric within 0.15mm

DRAWING No ST40

REV

SHEET SIZE
A3