

Motorised drum de-coilers

Pay-offs for metal, wooden or plastic drums

Our range of motorised de-coilers are designed for the controlled pay-off of extruded material from drums. They can work in-line or off-line.

The main benefits to the user are:

- Low tension de-coiling removes possibility of stretching or distorting the product being uncoiled.
- Small foot-print - saves space in the factory.
- Lenze AC motor & drive for good speed control.
- Sonar loop control or integral tension speed control available.
- Optional easy-to-use controls via colour 101 mm (4") touch-screen panel.
- Different configurations available, including mobile & roll-on/roll-off .

Mode of Operation:

Powered drum de-coilers with tension control

Our motorised drum de-coilers provide an efficient method for unwinding material stored on a drum. The machines can be used off-line to provide product to a cutter. Or they can be used in-line to feed material through a cross-head die, for example.

The drum is driven on the rim via rollers powered by the integral Lenze AC motor drive.

The speed of the de-coiling is controlled either by a built-in tension control device or a free-standing sonar loop control unit. A manual speed override is provided for basic unsynchronised speed de-coiling. 0-10V or 4-20 mA analog reference signals are also available.

A variety of drums can be used on the de-coilers, including metal, wood & plastic. Please see the table below for drum weight limits. In the case of heavier drums a powered hoist or similar may be required to assist loading.

An optional 101 mm (4") full colour touch-screen panel is available. This allows full control over all de-coiler setting & operations.

The motorised drum de-coiler is available in two versions:

- **Model V-5-M:** Mobile machine (see photo right upper).
- **Model V-6-RO:** Roll-on/roll-off machine (see photo right lower).



Motorised de-coiler pay-off range ¹ :				
Model:	Coil outer diameter (mm):	Coil width (mm):	Coil weight (Kg) - max ² :	Linespeed (m/min) - maximum ³ :
V-5-M	450 - 750	300 - 550	400	60
V-6-RO	600 - 1000	400 - 600	1000	50

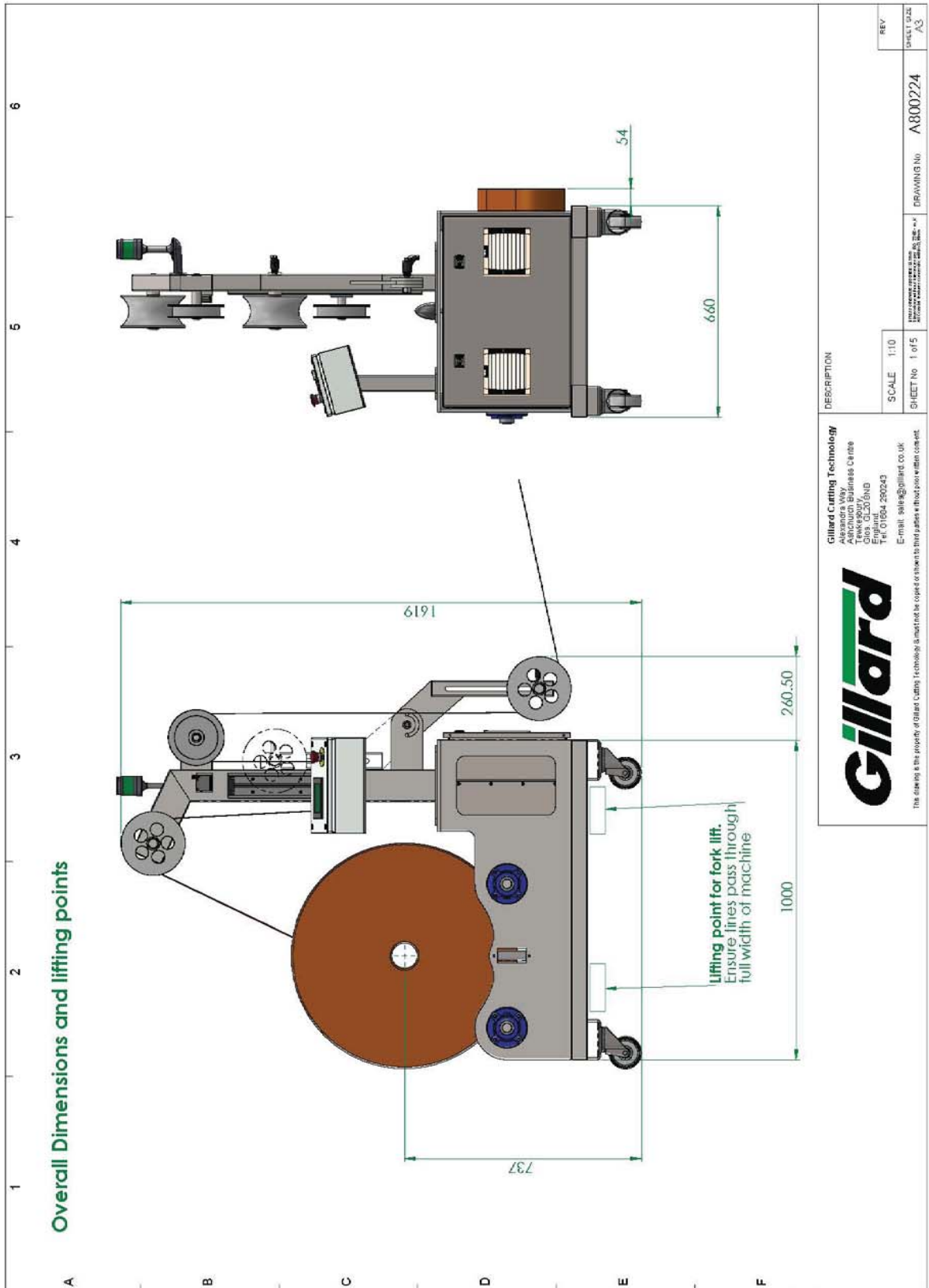
¹ Specifications subject to change without notice. Please consult the factory for details of any changes.

² These are guide figures. Please check with us to ensure your exact weight is possible.

³ These are guide figures. Please check with us to ensure your exact speed is possible.

Motorised drum de-coilers

Pay-offs for metal, wooden or plastic drums



www.gillardcutting.com

for more information on our product range.

Gillard Cutting Technology

Alexandra Way, Ashchurch Business Centre, Tewkesbury Gloucestershire, GL20 8NB, England - UK.

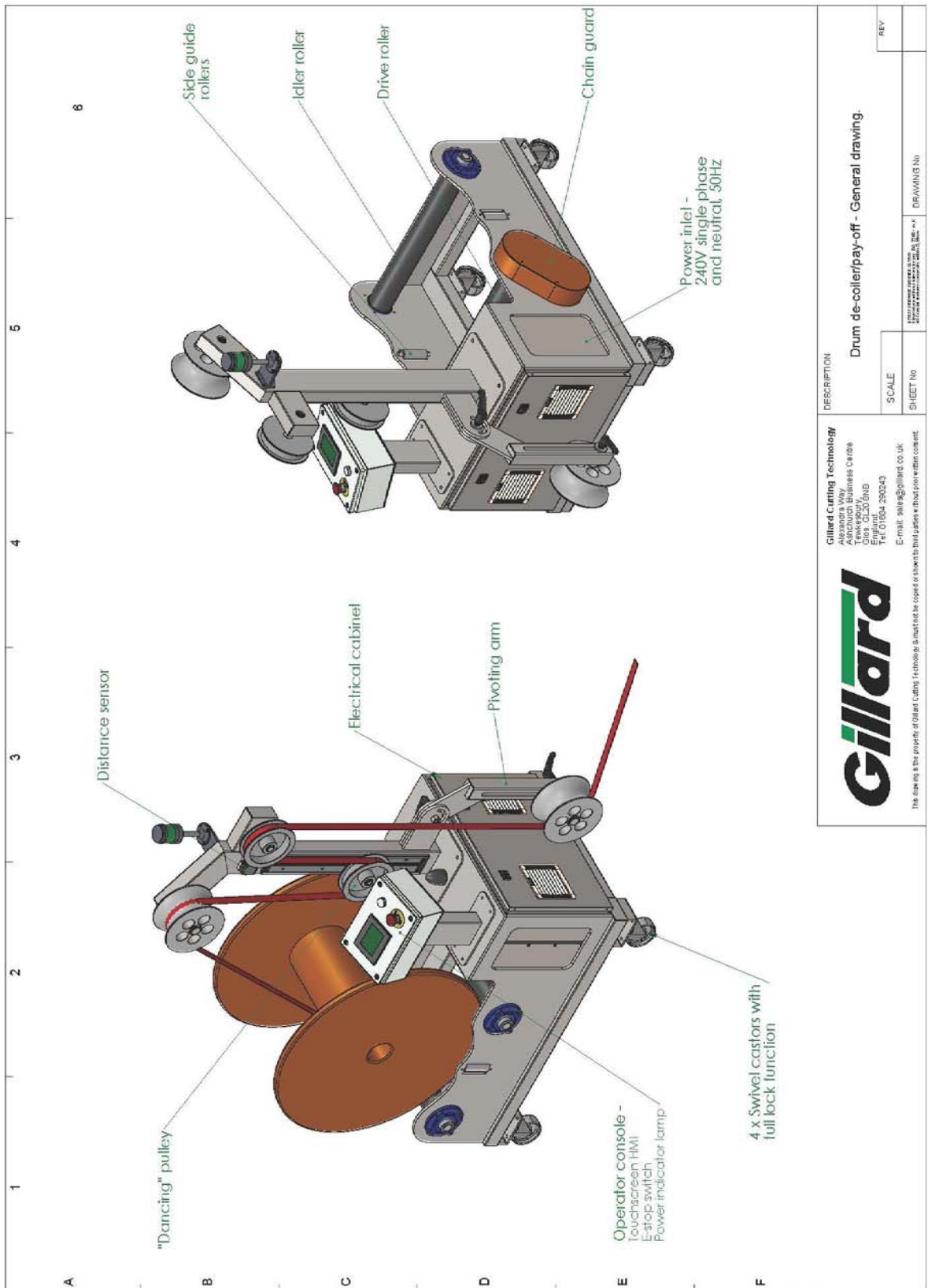
Tel: +44 (0) 1684 290 243

Email: sales@gillardcutting.com

www.gillardcutting.com

Motorised drum de-coilers

Pay-offs for metal, wooden or plastic drums



DESCRIPTION	
Drum de-coiler/pay-off - General drawing.	
SCALE	REV
SHEET No	DRAWINGS No

Gillard Cutting Technology
 Ashchurch Business Centre
 Tewkesbury,
 Gloucestershire, GL20 8NB
 England
 Tel: 01684 290243
 E-mail: sales@gillard.co.uk



The drawing is the property of Gillard Cutting Technology. It must not be copied or taken to other jobs or other sites without consent.

www.gillardcutting.com

for more information on our product range.

Gillard Cutting Technology

Alexandra Way, Ashchurch Business Centre, Tewkesbury Gloucestershire, GL20 8NB, England - UK.

Tel: +44 (0) 1684 290 243

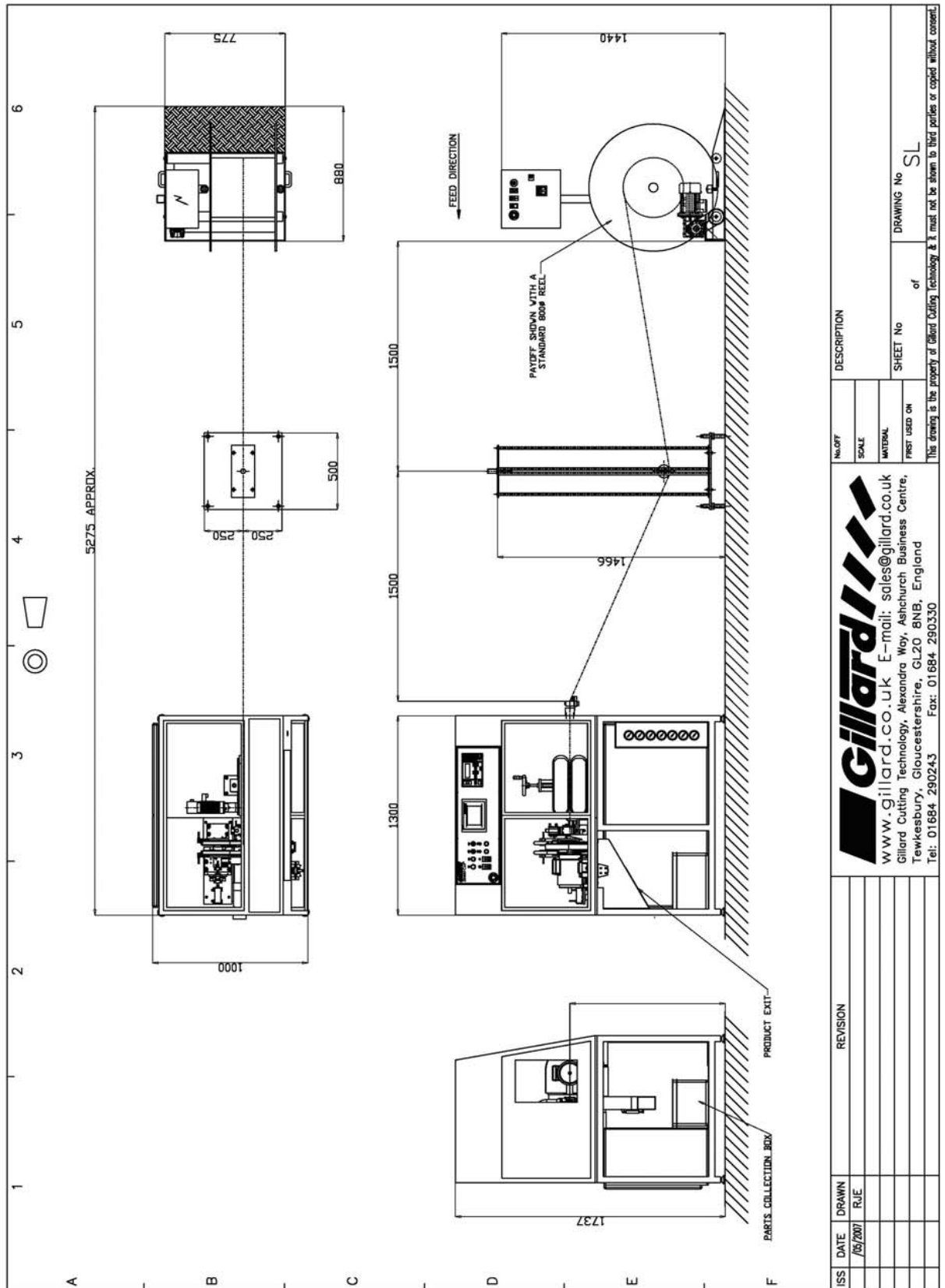
Email: sales@gillardcutting.com

www.gillardcutting.com



Motorised drum de-coilers

Pay-offs for metal, wooden or plastic drums



NO. OF	DESCRIPTION
SCALE	
MATERIAL	
PRINT USED ON	

Gillard
 www.gillardcutting.co.uk E-mail: sales@gillard.co.uk
 Gillard Cutting Technology, Alexandra Way, Ashchurch Business Centre,
 Tewkesbury, Gloucestershire, GL20 8NB, England
 Tel: 01684 290243 Fax: 01684 290330

ISS	DATE	DRAWN	REVISION
	/05/2007	RJE	

www.gillardcutting.com

for more information on our product range.

Gillard Cutting Technology

Alexandra Way, Ashchurch Business Centre, Tewkesbury Gloucestershire, GL20 8NB, England - UK.

Tel: +44 (0) 1684 290 243

Email: sales@gillardcutting.com

www.gillardcutting.com

