

Unless otherwise specified:  
Dimensions without tolerances per ISO 2768 - m,K

ISS	DATE	DRAWN	REVISION
A	21/04/2009	JRS	NEW DRAWING
B			
C			
D			
E			
F			



Gillard Cutting Technology  
Alexandra Way  
Ashchurch Business Centre  
Tewkesbury,  
Glos. GL20 8NB  
England.  
Tel: 01684 290243  
Fax: 01684 290330  
E-mail: sales@gillard.co.uk

This drawing is the property of Gillard Cutting Technology & must not be shown to third parties or copied without written consent.

UNITS	mm	DESCRIPTION			
SCALE	1:10	Caterpillar Slitting - 2x 80Ø Tubes			
JOB No.	-				
MATERIAL	-	SHEET No			
QTY REQD.	1	1 of 2	DRAWING No	KMBLA010	A3

1

2

3

4

5

6

A

B

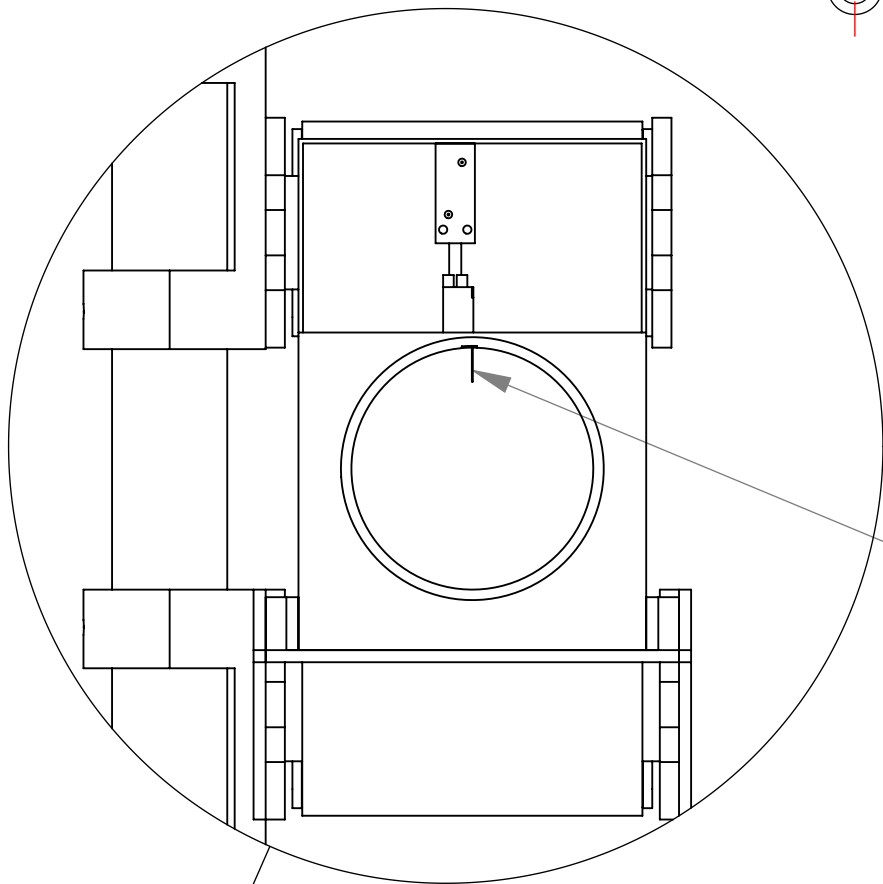
C

D

E

F

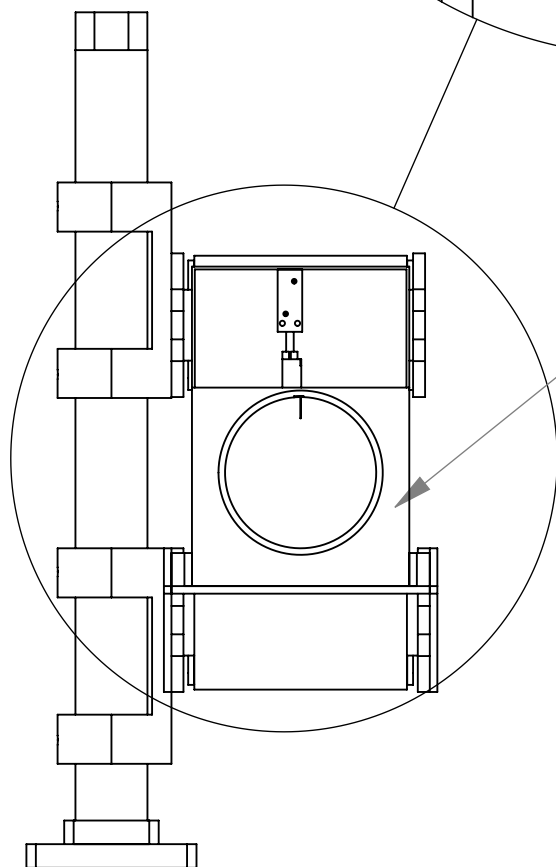
DETAIL B  
SCALE 1 : 5



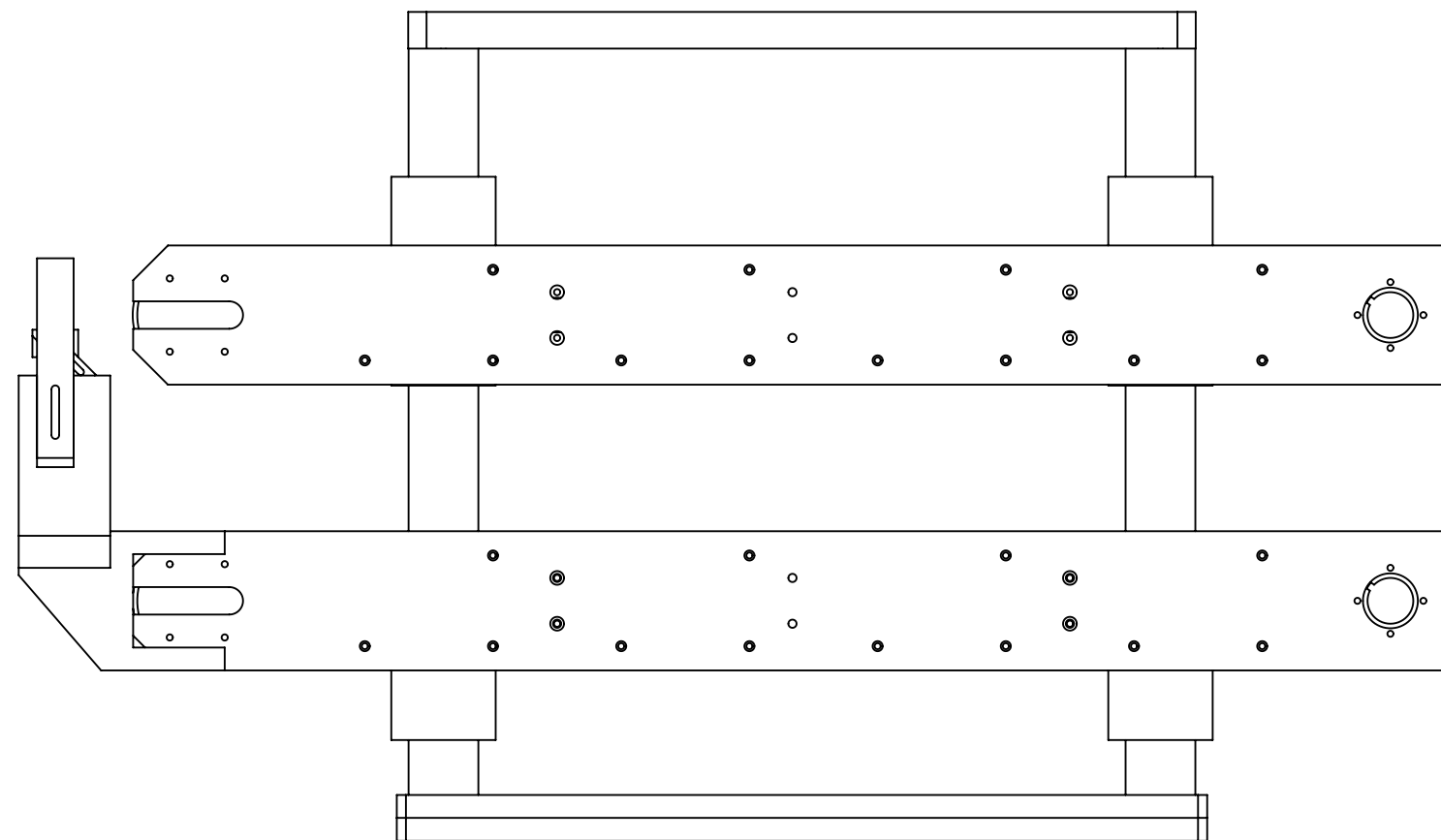
Note: - designs shown are preliminary only and may change due to tube & slit requirements.

Final design drawings will be issued for review.

Actual blade maybe different due to depth of slit required



Slitting unit replaced with 160Ø bush



Unless otherwise specified:  
Dimensions without tolerances per ISO 2768 - m,K

ISS	DATE	DRAWN	REVISION
A	21/04/2009	JRS	NEW DRAWING
B			
C			
D			
E			
F			



Gillard Cutting Technology  
 Alexandra Way  
 Ashchurch Business Centre  
 Tewkesbury,  
 Glos. GL20 8NB  
 England.  
 Tel: 01684 290243  
 Fax: 01684 290330  
 E-mail: sales@gillard.co.uk

This drawing is the property of Gillard Cutting Technology & must not be shown to third parties or copied without written consent.

UNITS	mm	DESCRIPTION			
SCALE	1:8	Vertical Pillar Assembly - 160Ø Tube			
JOB No.	-				
MATERIAL	-	SHEET No			
QTY REQD.	1	2 of 2	DRAWING No	KMBLA010	A3