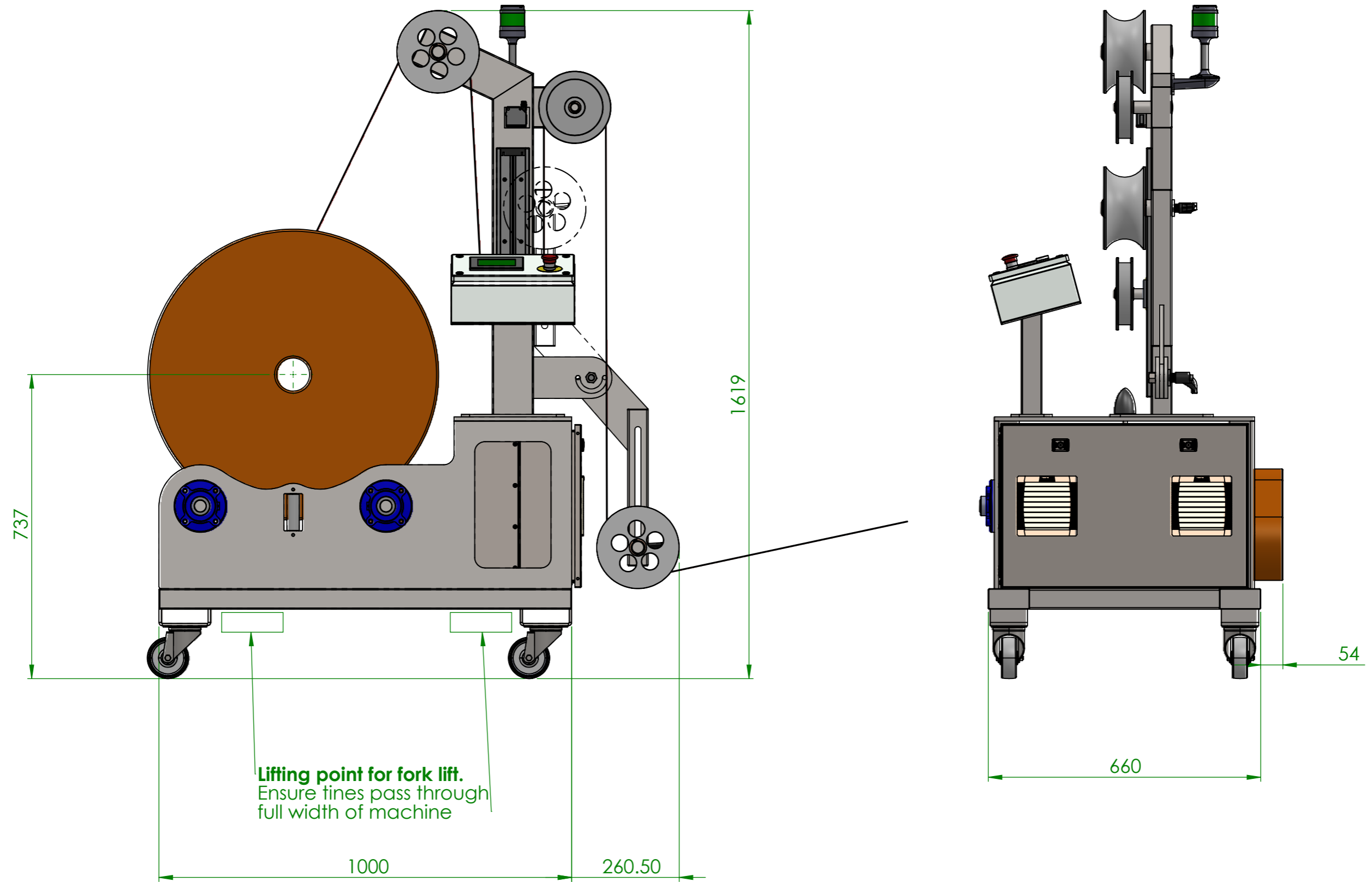


Overall Dimensions and lifting points



Gillard

Gillard Cutting Technology
 Alexandra Way
 Ashchurch Business Centre
 Tewkesbury,
 Glos. GL20 8NB
 England.
 Tel: 01684 290243
 E-mail: sales@gillard.co.uk

This drawing is the property of Gillard Cutting Technology & must not be copied or shown to third parties without prior written consent.

DESCRIPTION

Drum de-coiler/pay-off - Dimensions

SCALE

SHEET No

Unless otherwise specified: 0.1mm
 Dimensions without tolerances per ISO 2768 - m.K
 All Coaxial features concentric within 0.15mmDr

DRAWING No

REV