

1

2

3

4

5

6

A

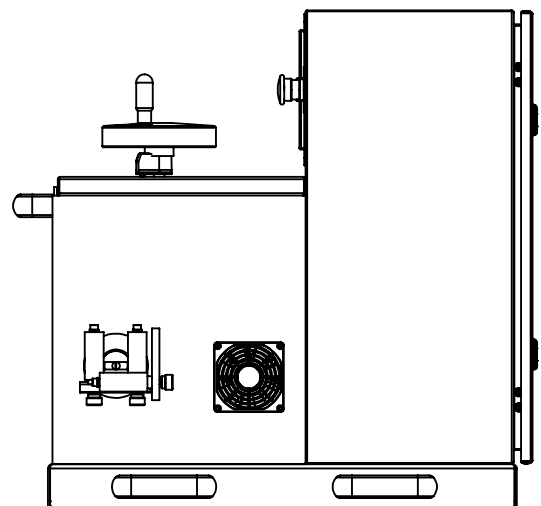
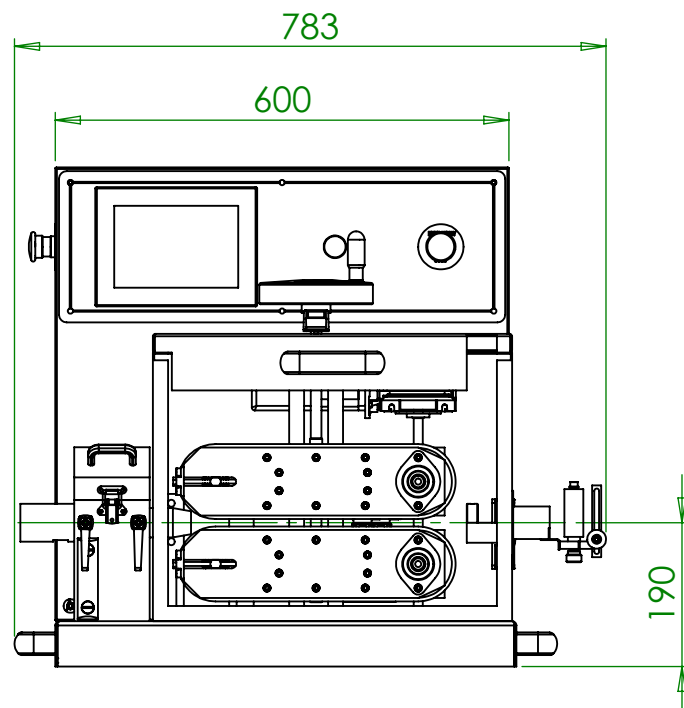
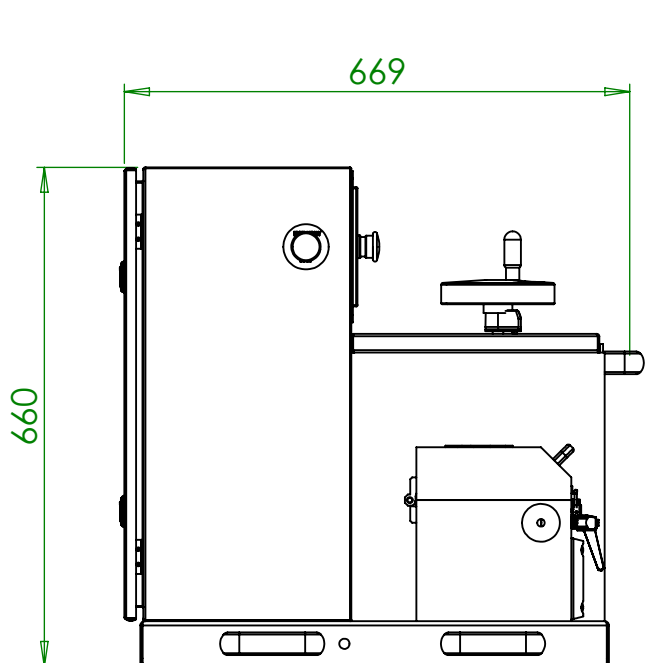
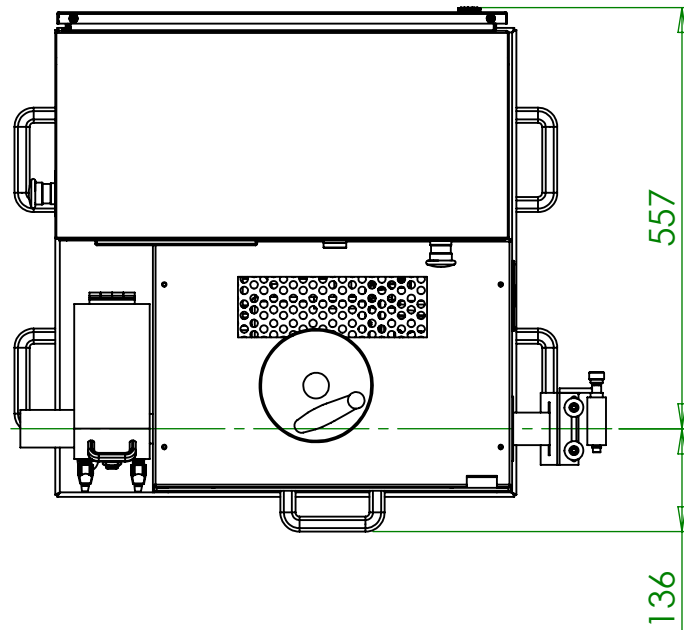
B

C

D

E

F



**Gillard**

**Gillard Cutting Technology**  
 Alexandra Way  
 Ashchurch Business Centre  
 Tewkesbury,  
 Glos. GL20 8NB  
 England.  
 Tel: 01684 290243  
 E-mail: sales@gillard.co.uk

This drawing is the property of Gillard Cutting Technology & must not be copied or shown to third parties without prior written consent.

DESCRIPTION

Servo-Torq® Mini table-top cutting system – Model ST-M/30A-TT-2000AS

SCALE 1:10

SHEET No 1 of 1

Unless otherwise specified: 0.1mm  
 Dimensions without tolerances per ISO 2768 - m.K  
 All Coaxial features concentric within 0.15mm

DRAWING No A900081

REV

SHEET SIZE  
A3