

1

2

3

4

5

6

A

Optional chip blade / Razorblade holder

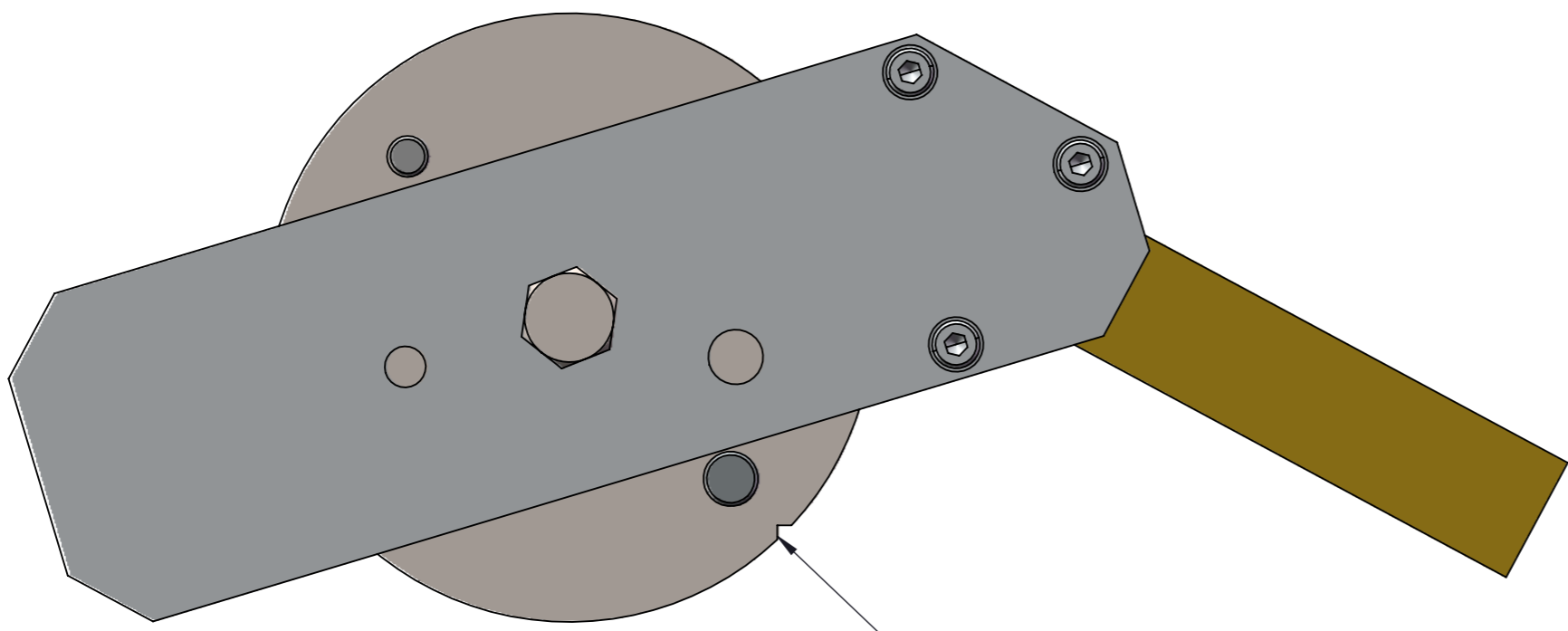
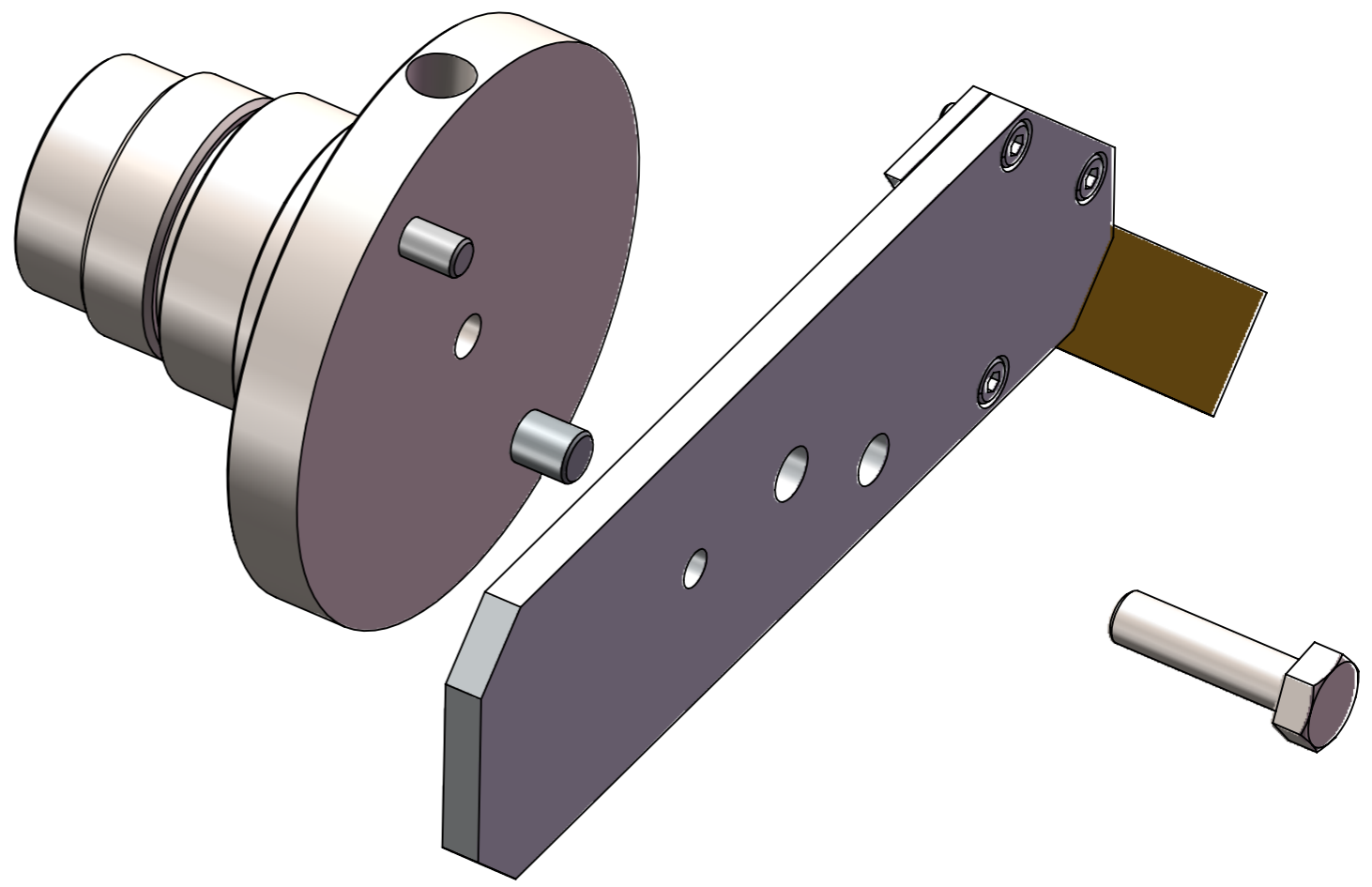
B

C

D

E

F



Reference Notch

Thrust taken on pins



Gillard Cutting Technology
 Alexandra Way
 Ashchurch Business Centre
 Tewkesbury,
 Glos. GL20 8NB
 England.
 Tel: 01684 290243
 Fax: 01684 290330
 E-mail: sales@gillard.co.uk

This drawing is the property of Gillard Cutting Technology & must not be copied or shown to third parties without prior written consent.

DESCRIPTION
CHIP BLADE HOLDER

SCALE 1:1

SHEET No 1 of 1

Unless otherwise specified: 0.1mm Dimensions without tolerances per ISO 2768 - m,K All Coaxial features concentric with

DRAWING No Chip Blade

REV
SHEET SIZE A3