

1

2

3

4

5

6

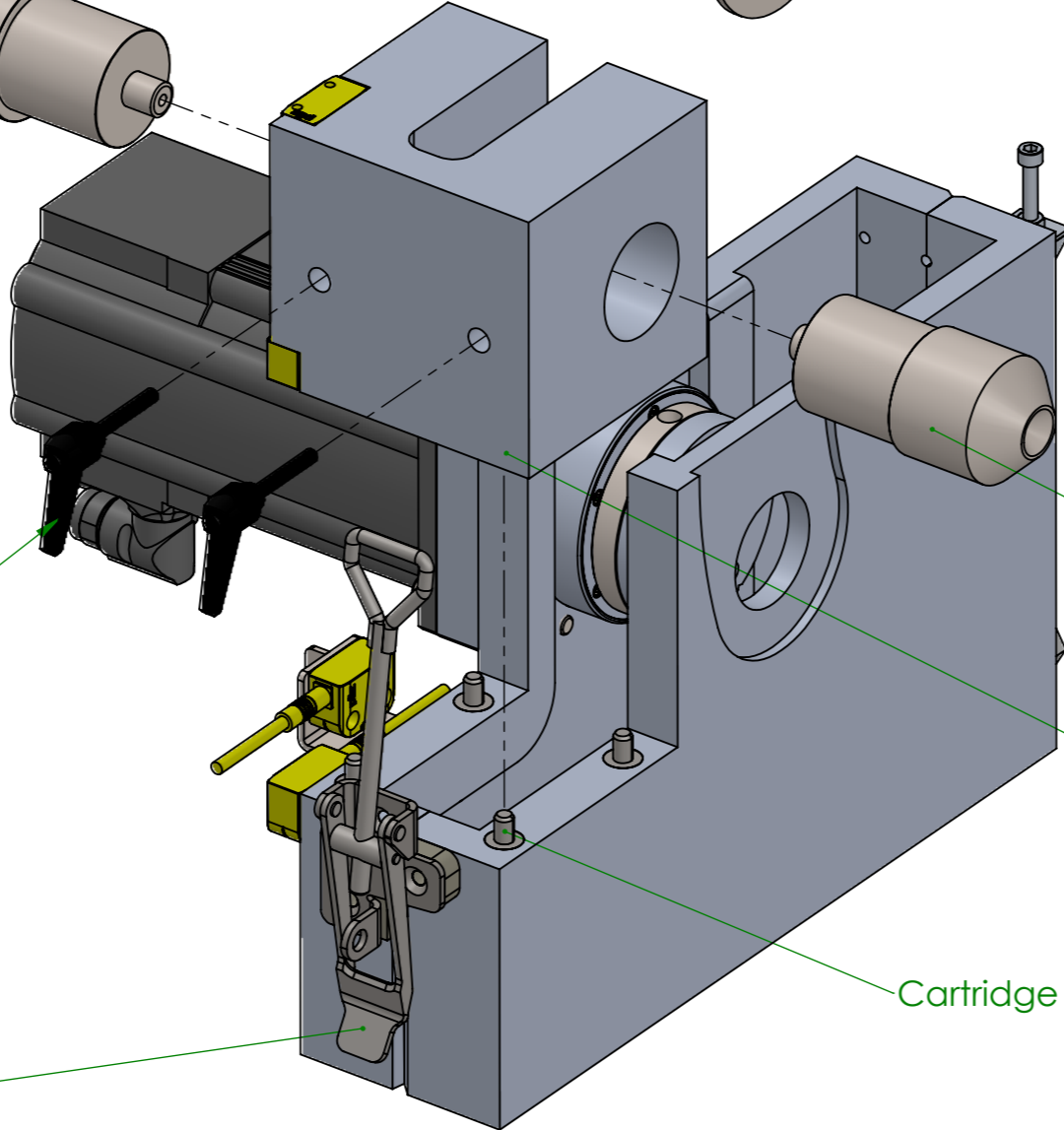
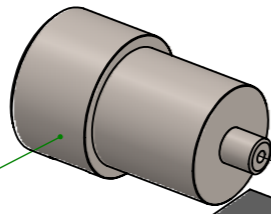
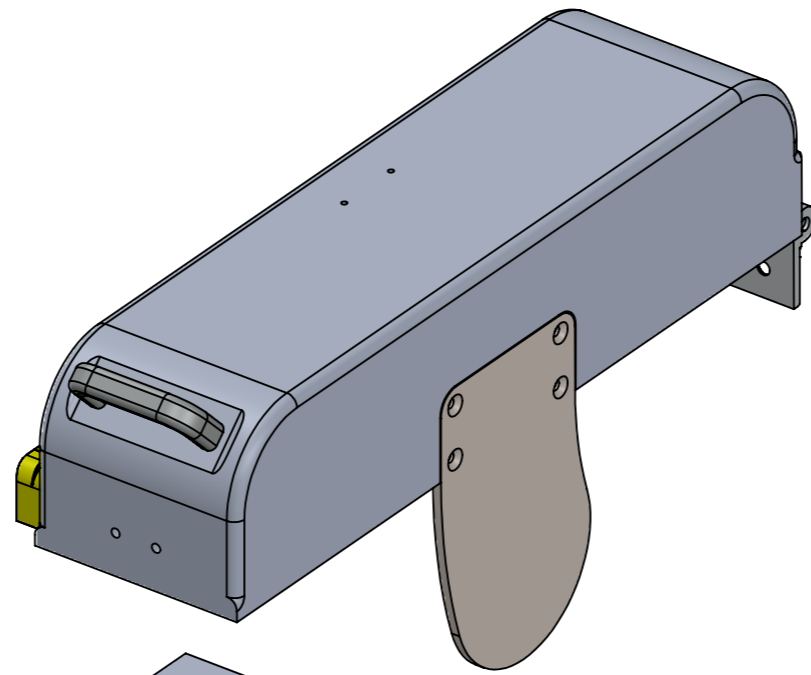
A
B
C
D
E
F

Optional extra
L-3 quick release cartridge block

Exit bush

Locking handles

Lid catch



Inlet bush

Cartridge block location
seats (hidden)

Cartridge block locating pins



Gillard Cutting Technology
Alexandra Way
Ashchurch Business Centre
Tewkesbury,
Glos. GL20 8NB
England.
Tel: 01684 290243
Fax: 01684 290330
E-mail: sales@gillard.co.uk

This drawing is the property of Gillard Cutting Technology & must not be copied or shown to third parties without prior written consent.

DESCRIPTION
Cartridge block assembly - Direct drive cutter

SCALE 1:3

SHEET No 1 of 1

Unless otherwise specified: 0.1mm
Dimensions without tolerances per ISO 2768 - m.K
All Coaxial features concentric within 0.15mm

DRAWING No A800130

REV

SHEET SIZE
A3